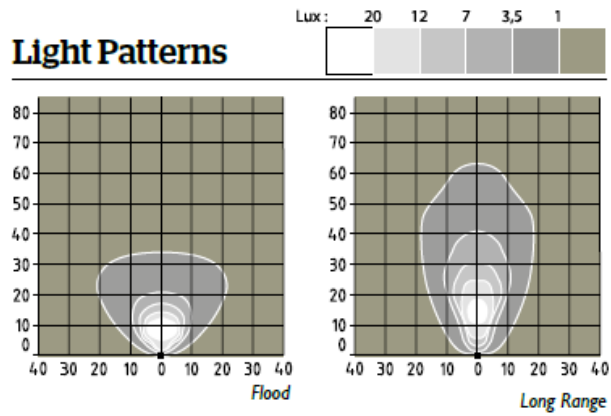




Halogen Lighting

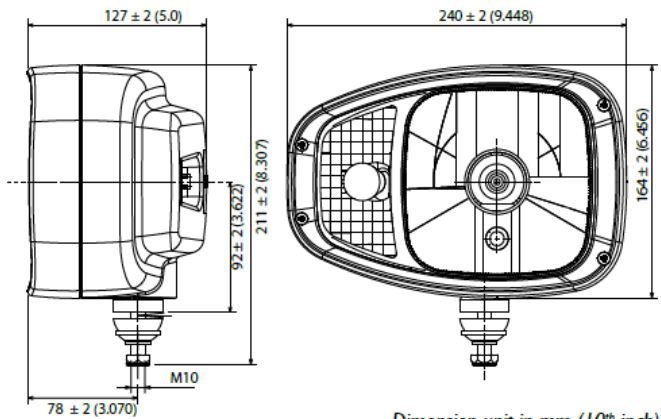


GA LAMP 1



GA LAMP 2
(right and left version)

Dimensions



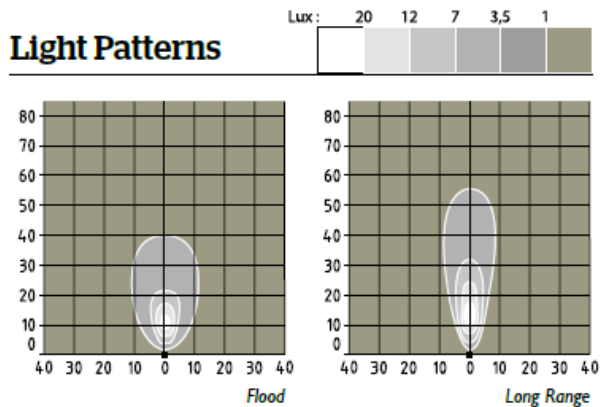
Dimension unit in mm (10th inch)



LED Lighting



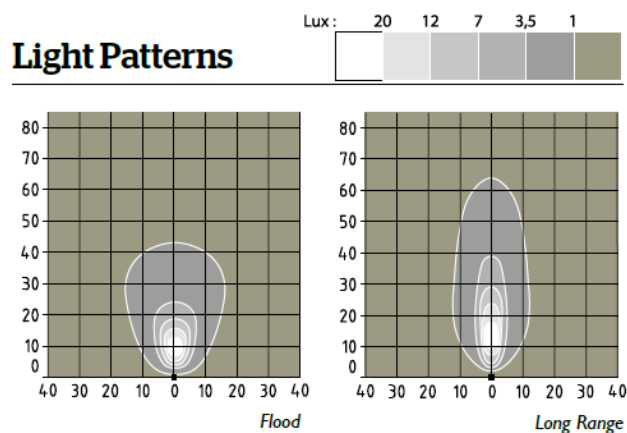
Proximity
sensor



GA LAMP 3



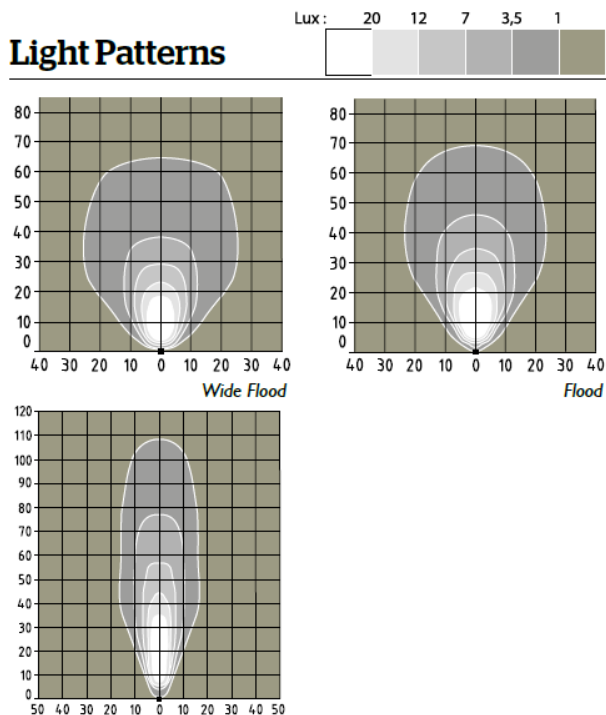
Same
power
of halogen



GA LAMP 4



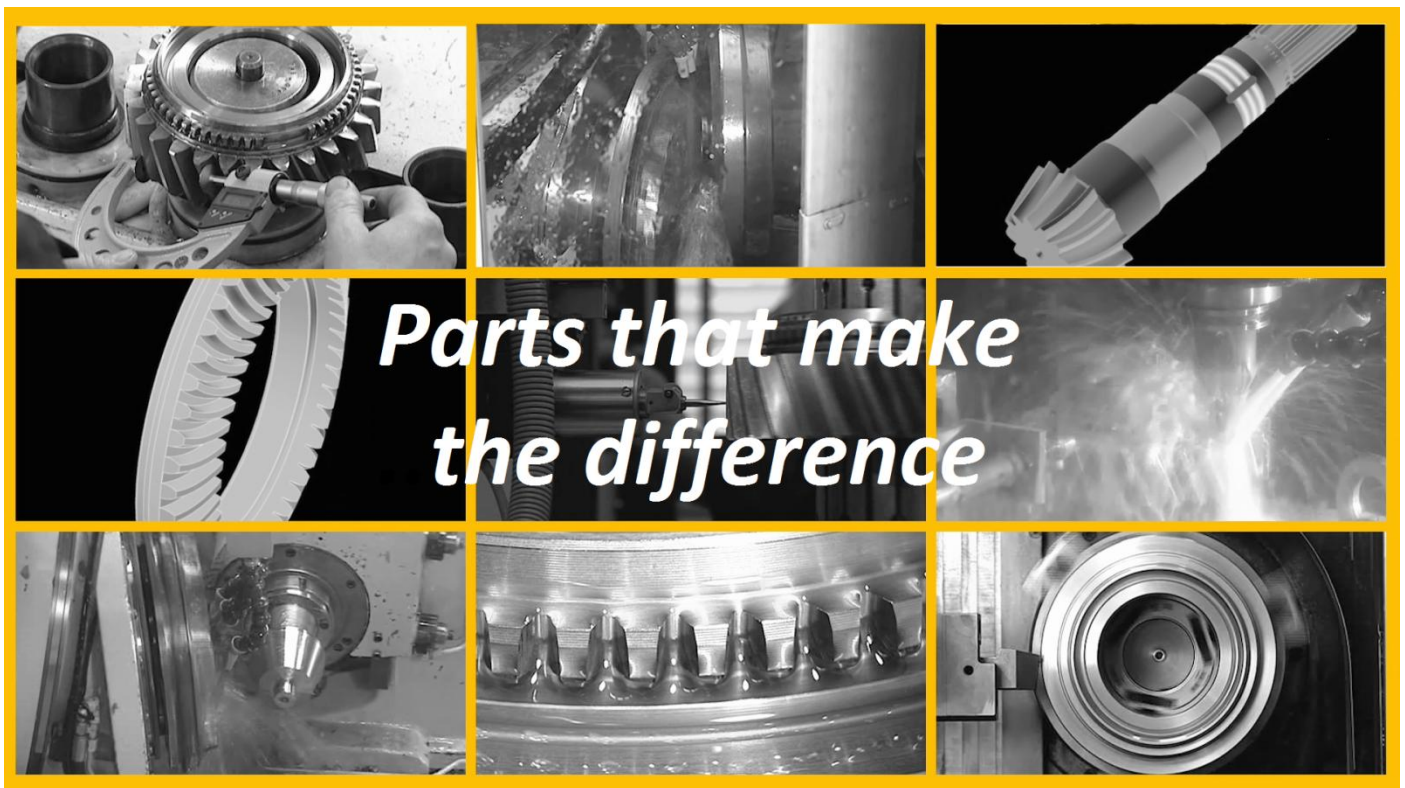
More power
than Xenon
(+30%)



GA LAMP 5

ADVANTAGES LED GA LIGHTS

- *Lifetime (x100 against halogen technology)*
- *More power (up to 30% more than Xenon)*
- *White light increasing the night contrast*
- *Reduced consumption (up to 6W / divided for 11)*
- *Better endurance to vibrations & shocks*
- *Better sealing (immersion & high pressure)*
- *4 years or 20.000 hours warranty*



Sales Dept.

t +39 059 740 11 14

f +39 059 740 13 92

info@garicambi.com

G.A. Ricambi S.p.A.

41018 S.Cesario s/P MODENA - ITALY

via della Meccanica, 30

t +39 059 740 11 11

f +39 059 740 13 92